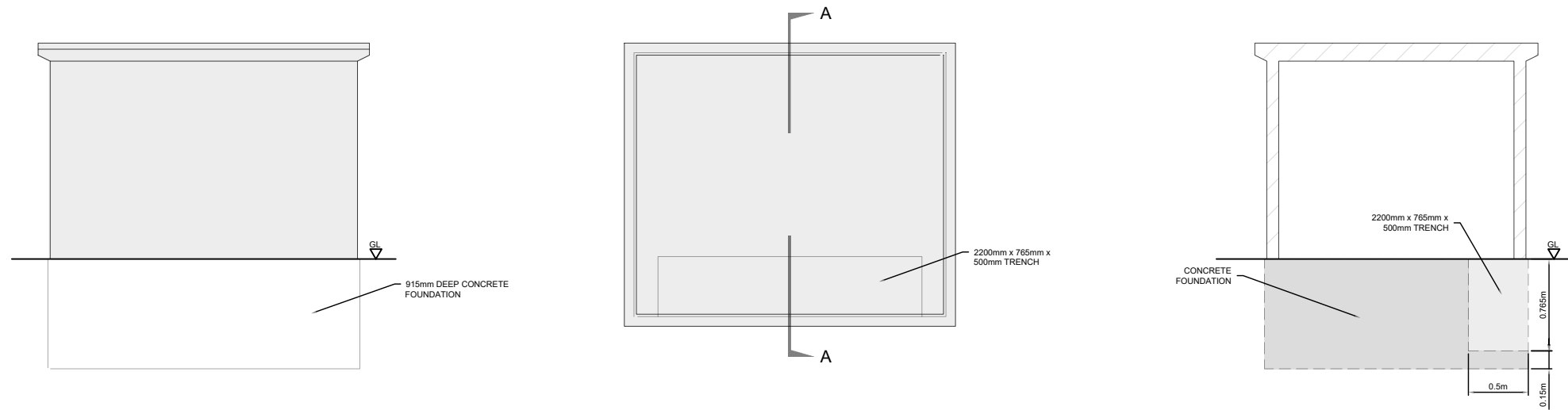


Side Elevation

Front Elevation

Side Elevation



Rear Elevation

Plan

Section A.A